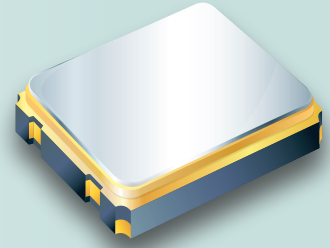


SMD RTC Crystal Oscillators 3.2 x 2.5 x 1.0 mm 7XZ Series

Features

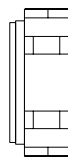
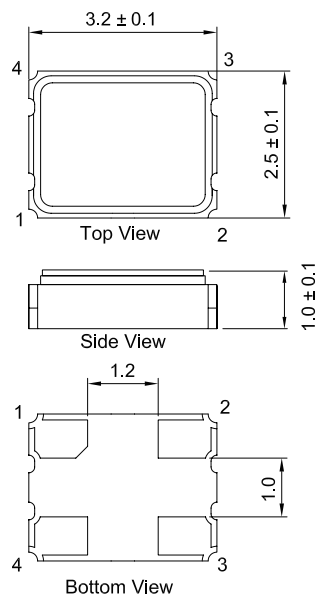
- Ultra small 32.768 kHz RTC oscillator in seam sealed ceramic package.
- 4 pads design to achieve good soldering contact on PCB.
- Use AT crystal as the resonator for good temperature performance.
- Tri-State function available for power saving.
- RoHS Compliant / Pb Free.



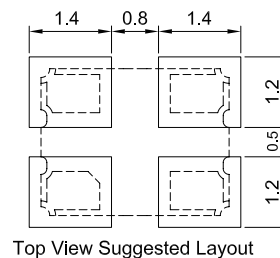
Electrical Specifications

| Item / Type | 7XZ |
|---|---------------------------------|
| Norminal Frequency | 32.768 kHz |
| Oscillation Mode | AT Fundamental |
| Output Type | CMOS |
| Output Load | 15 pF, or specify |
| Supply Voltage | 2.8 V , 3.3 V |
| Frequency Stability | ± 25 ppm , ± 50 ppm |
| Operating Temperature Range | - 10 ~ + 70 °C , - 40 ~ + 85 °C |
| Storage Temperature Range | - 55 ~ + 125 °C |
| Voltage Vol (Max.) / Voh (Min.) | 0.1 VDD / 0.9 VDD |
| Rise (Tr) / Fall (Tf) Time | 300 ns Max. |
| Current Consumption | 3 mA Max. |
| Symmetry | 45 ~ 55 % |
| Start-up Time | 10 ms Max. |
| Tri-state Voltage Vol (Max.) / Voh (Min.) | 0.3 VDD / 0.7 VDD |
| Aging (at 25 °C) | ± 5 ppm at first year. |

Dimensions



PAD FUNCTION:
 1: ENABLE CONTROL
 2: GND
 3: OUT
 4: VDD



Units: mm