

## SMD TYPE CERAMIC (SMD 7 x 5)



### Application of SMD crystal:

- Radio communication
- Ct { ucn
- Office automation equipment
- GPS
- Audio-visual equipment



### {Features}

Seam welding  
 Excellent solderability  
 Automatic and perfect packing due to emboss taping  
 Excellent vibration resistance & shock resistance  
 Rohs compliant / Pb free

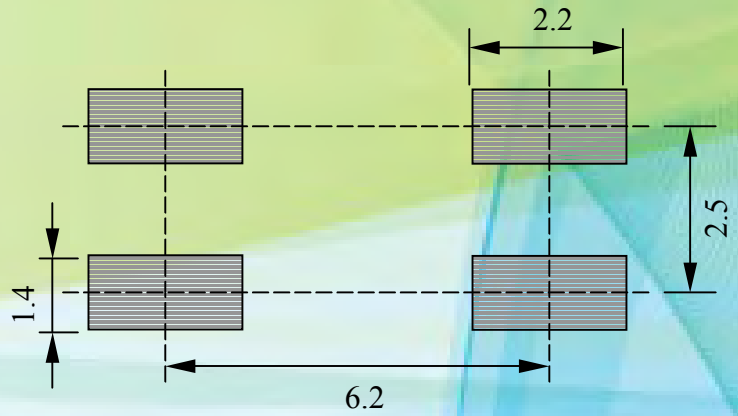
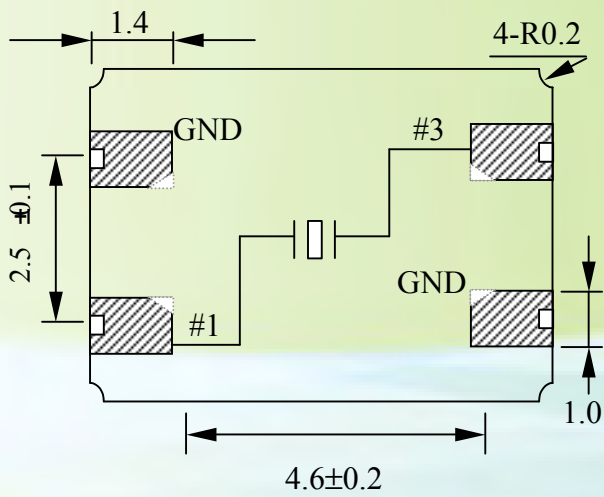
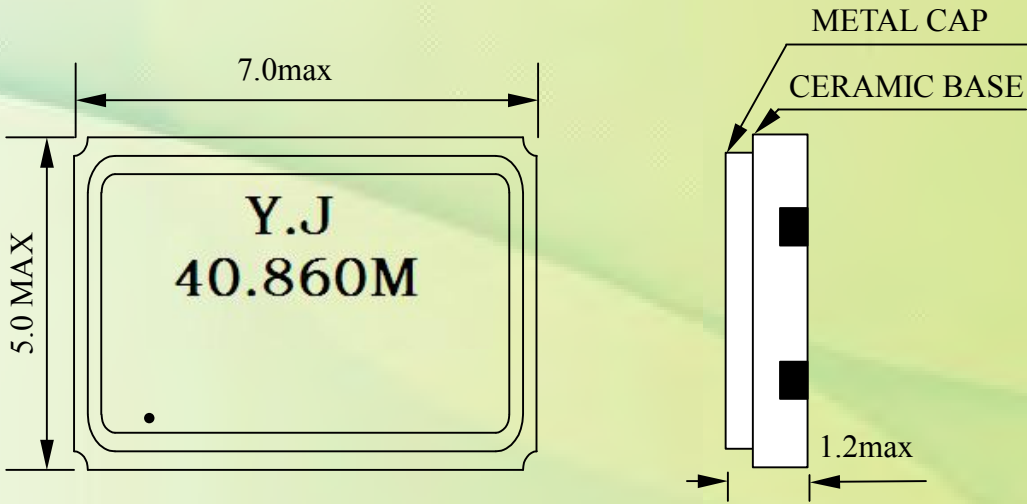
### Electrical Specification:

Model	YJ-7050
<b>1.Frequency</b>	
Frequency Range	6.0 ~ 125.000 MHz
Frequency Tolerance at 25 °C ±2 °C	±10 ~ ±100 ppm (TYP.)
Frequency Stability Over Operating Temp Range	±10 ~ ±100 ppm (TYP.)
<b>2.Environmental Condition</b>	
Operating Temp Range	-10 °C~ +60 °C, -20 °C~ +70 °C or customer requirement
Storage Temp Range	-40 °C ~ +85 °C
Aging Rate	±3ppm/year
<b>3.Electrical Specifications</b>	
Test Circuit	S&A 250B
Load Capacitance	6 pF ~ 32 pF, series or special
Drive Level	1uW ~ 100uW or special
Shunt Capacitance	7.0pF max

### Equivalent Series Resistance(ESR) VS Frequency:

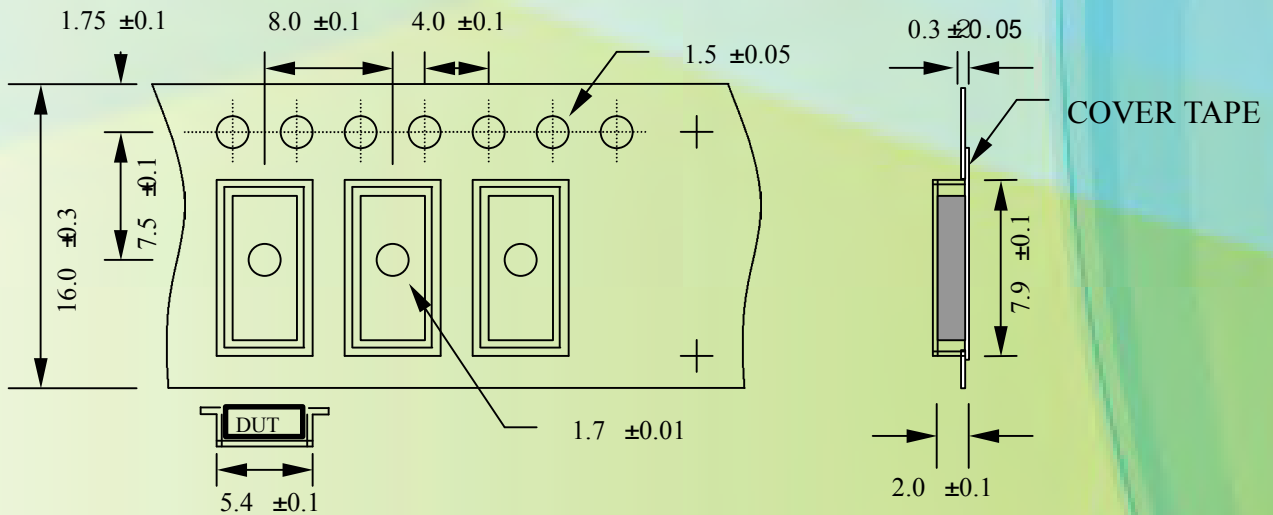
Frequency (MHz)	Oscillation Mode	YJ-7050
6.0 ~ 10.0	Fundamental	110
10.1 ~ 22.0	Fundamental	80
22.1 ~ 40.0	Fundamental	40
40.1 ~ 125.0	3rd overtone	80

**Dimensions (mm):**

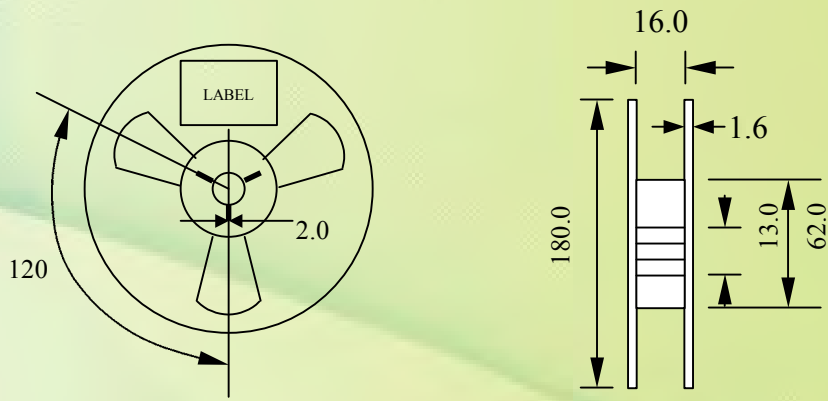


**( Recommended Land Pattern )**

**Tape specification: (Unit: mm)**



### Reel packing: (Unit: mm)



### Reflow Temperature profile:

